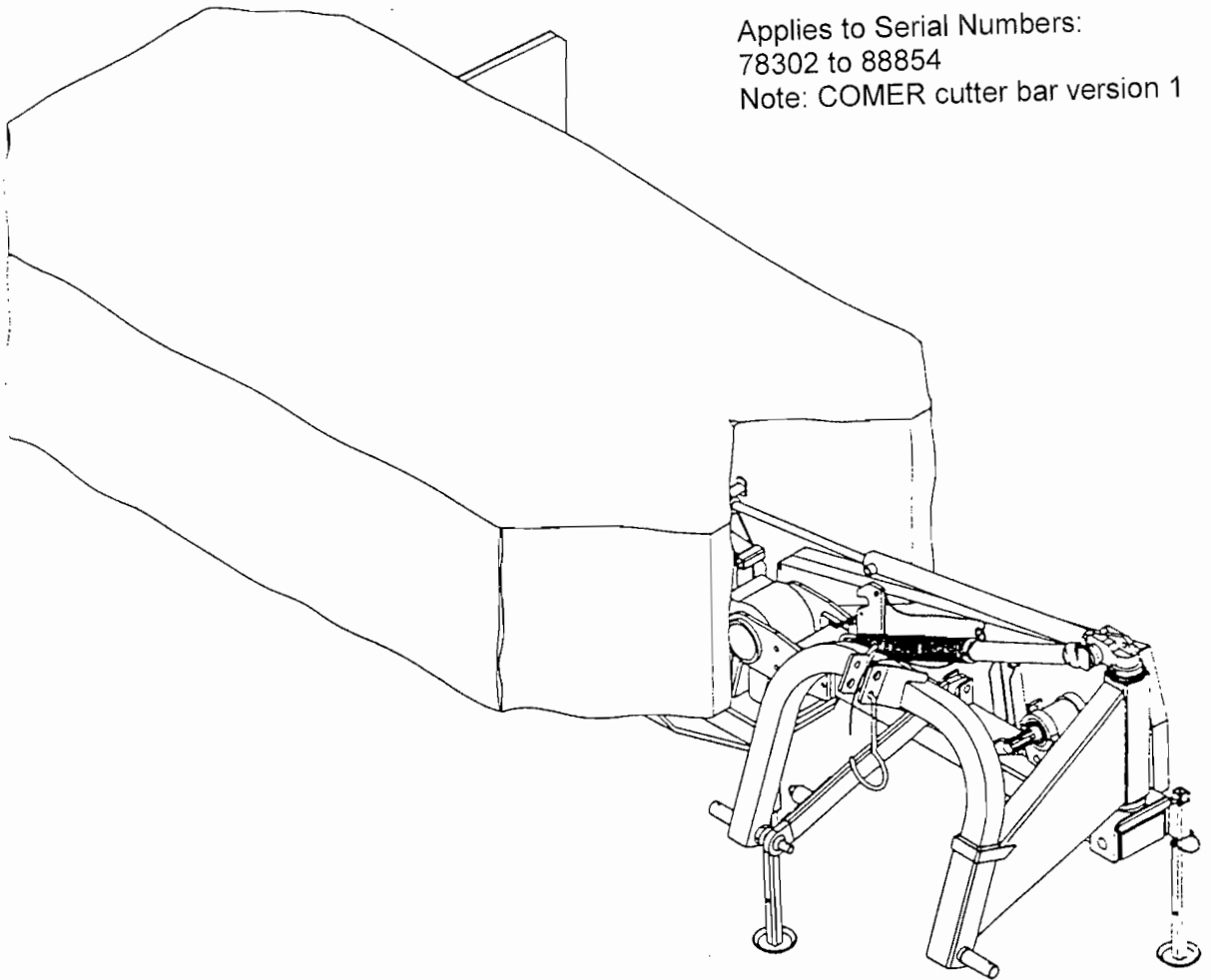




AGRICULTURAL MACHINERY

sitrex®
s.r.l.

**SPARE PARTS LIST
ASSEMBLY
USE AND MAINTENANCE**



DM/4-DM/5-DM/6-DM/7

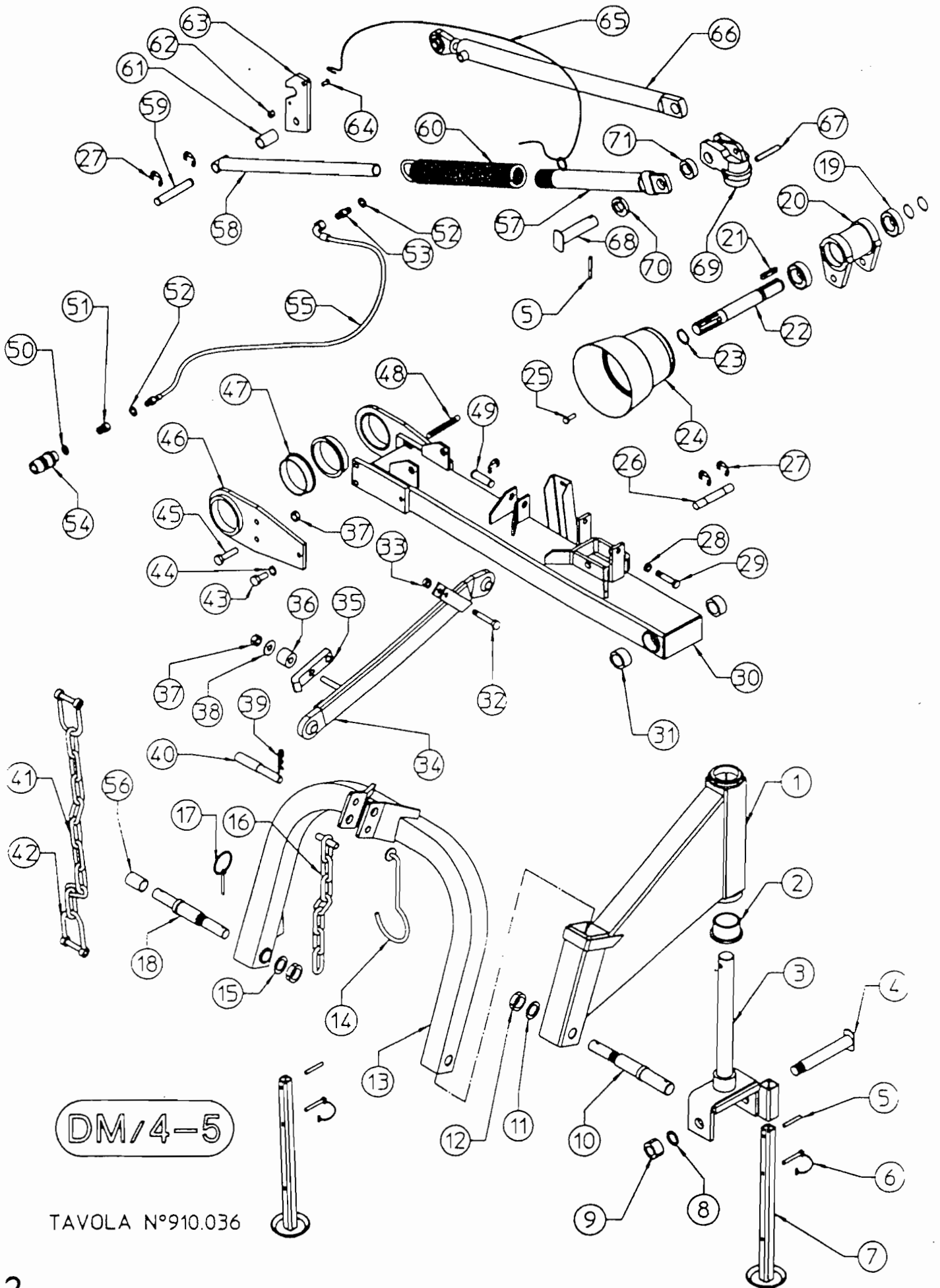
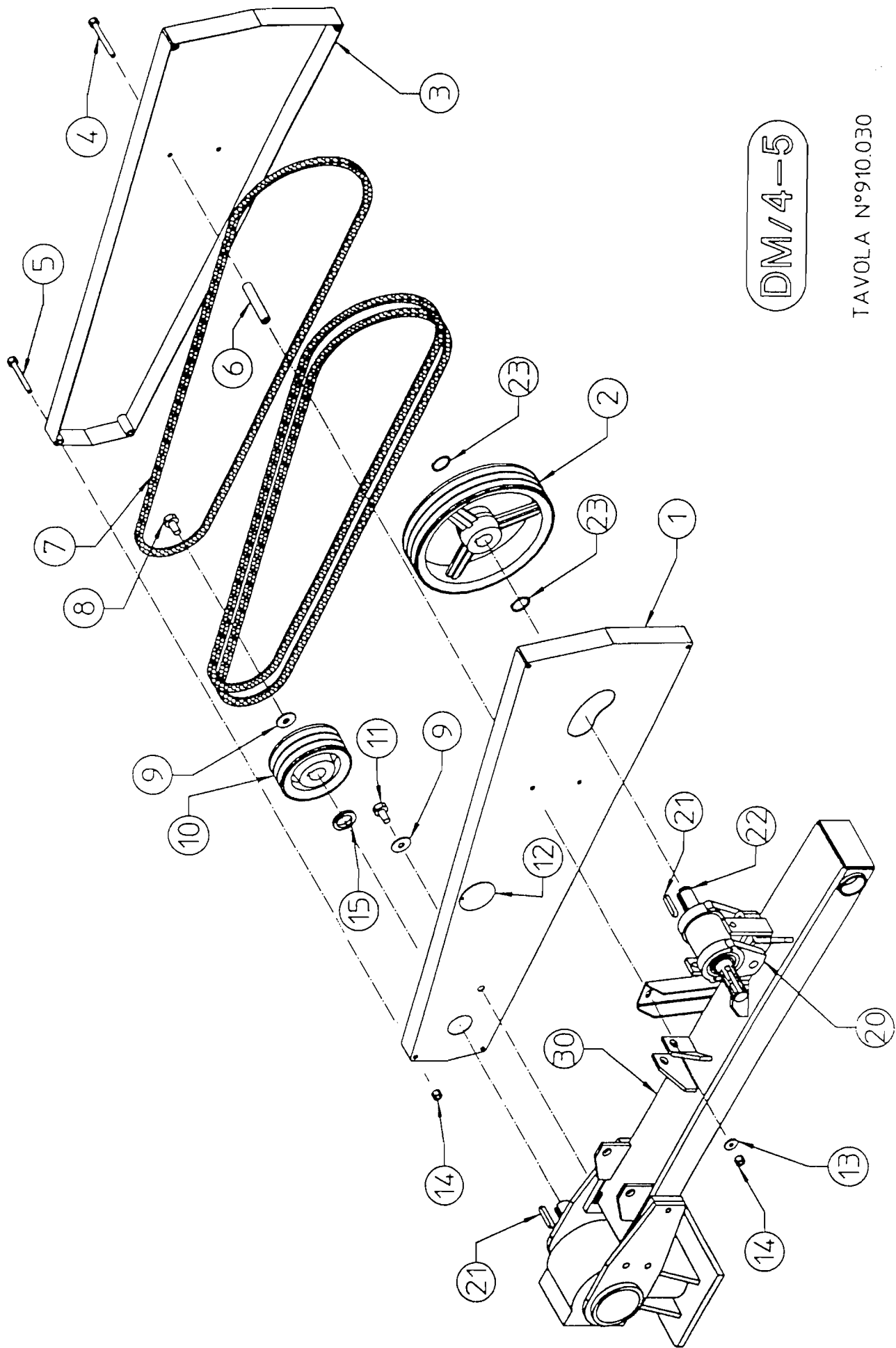


TABLE NO 910 036

DM/4-5

ITEM	Q.ty	PART/NO	DESCRIPTION	NOTE
1	1	100.162	SUPPORT	
2	1	100.236	BUSH	
3	1	100.163	PIN SUPPORT	
4	1	100.164	PIN	
5	3	600.027	SPRING PIN	
6	2	610.151	PIN	
7	2	100.166	PARKING STAND	
8	1	600.632	WASHER	
9	1	600.717	NUT	
10	1	100.175	PIN	
11	1	600.336	WASHER	
12	2	610.150	NUT	
13	1	100.161	3 POINT HITCH	
14	1	100.253	SUPPORT	
15	1	600.246	WASHER	
16	1	100.250	CHAIN	
17	3	600.017	PIN	
18	1	100.280	PIN	
19	2	600.608	BEARING	
20	1	100.178	SUPPORT	
21	2	610.153	TAB	
22	1	100.179	P.T.O SHAFT	
23	4	600.333	SNAP RING	
24	1	600.818	HOOD	
25	2	600.650	SCREW	
26	1	100.177	PIN	
27	5	610.152	SNAP RING	
28	2	600.009	NUT	
29	2	600.739	SCREW	
30	1	100.182	MAIN FRAME	
31	2	100.198/a	BUSH	
32	1	600.750	SCREW	
33	1	600.077	NUT	
34	1	100.167/a	SAFETY HOOK	
35	1	100.168	HOOK	
36	1	100.201	SPRING	
37	3	600.075	NUT	
38	1	610.231	WASHER	
39	1	600.308	SPLIT PIN	
40	1	200.343	PIN	
41	1	100.249	CHAIN	
42	2	610.118	SHACKLES	
43	1	610.155	SCREW	
44	1	600.086	WASHER	
45	2	600.752	SCREW	
46	1	100.183	BOX SUPPORT	
47	2	610.232	BUSH	
48	1	100.235	SPRING	
49	1	100.176	PIN	
*	1	100.203/a	KJT HYDRAULIC	
50	1	600.269	COPPER WASHER	
51	1	600.428	NIPPLE	
52	2	600.039	COPPER WASHER	
53	1	200.192	NIPPLE	
54	1	600.273	QUICK RELEASE COUPLING	
55	1	610.143	HOSE	
56	1	400.045/a	BUSH	
57	1	100.170	OUTER TUBE	
58	1	100.171	INNER TUBE	
59	1	100.202	PIN	
60	1	100.172	SPRING	
61	1	100.204	BUSH	
62	1	600.076	NUT	
63	1	100.189	HOOK	
64	1	610.156	SCREW	
65	1	610.160	ROPE	
66	1	100.169	CYLINDER	
67	1	610.168	SPRING PIN	
68	1	100.173	PIN	
69	1	100.165	UPPER SUPPORT	
70	1	100.251	BUSH	
71	1	100.252	BUSH	



DM/4-5

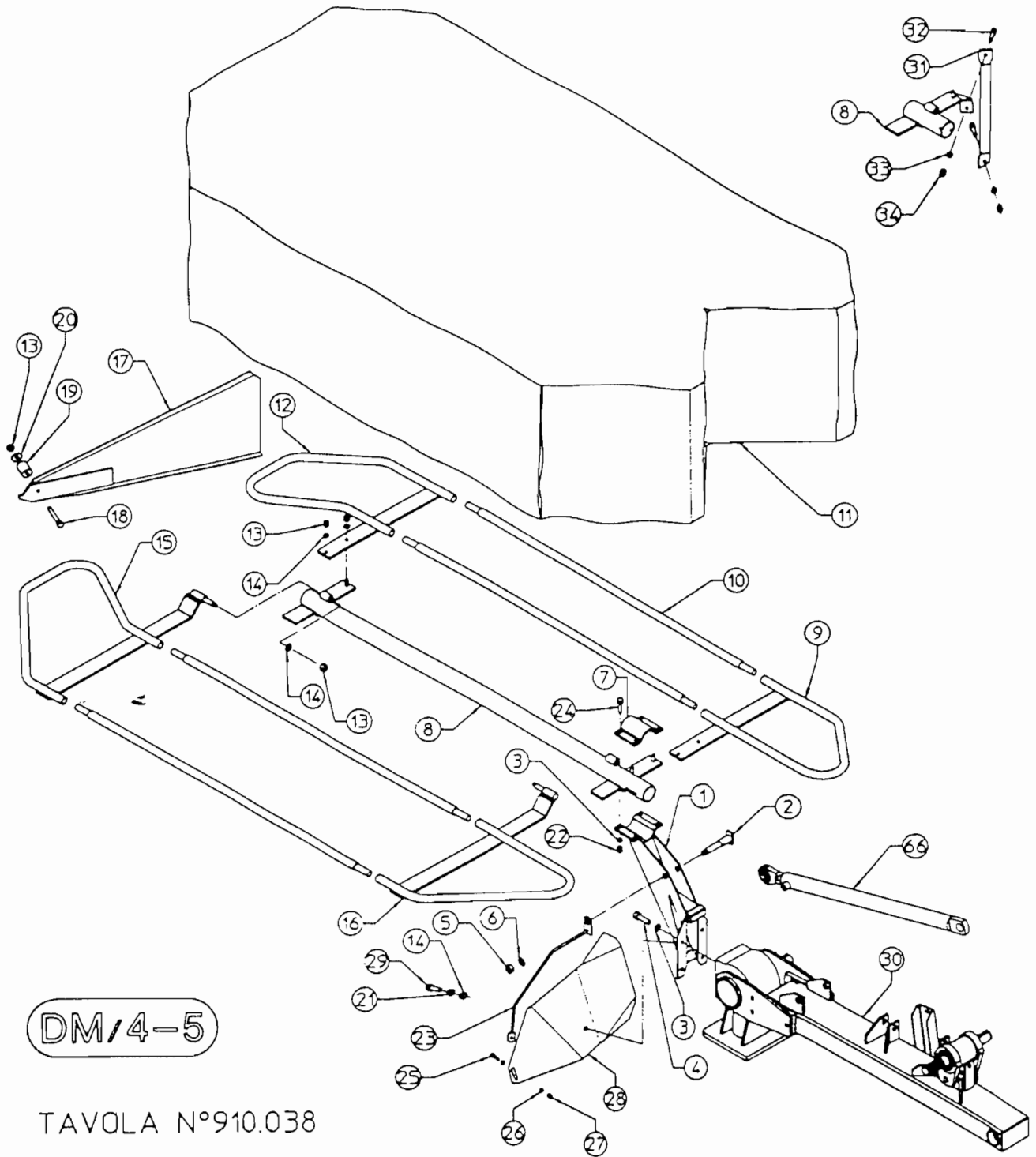
TAVOLA N°910.030

TABLE NO 910 030

DM/4-5

ITEM	Qty	PART/NO	DESCRIPTION	NOTE
1	1	100.184	INTERNAL COVER	
2	1	100.180	PULLEY	
3	1	100.185	OUTER COVER	
4	2	610.157	SCREW	
5	4	600.204	SCREW	
6	2	100.186	BUSH	
7	3	610.033	BELT	
8	1	600.440	SCREW	
9	2	500.160	WASHER	
10	1	100.181	PULLEY	
11	1	600.770	SCREW	
12	1	100.313	PLUG	
13	2	610.185	WASHER	
14	6	600.076	NUT	
15	1	100.205	BUSH	
20	1 *	100.178	SUPPORT	
21	2 *	610.153	TAB	
22	1 *	100.179	P.T.O. SHAFT	
23	2 *	600.333	SNAP RING	
30	1	100.182	MAIN FRAME	

DM/5



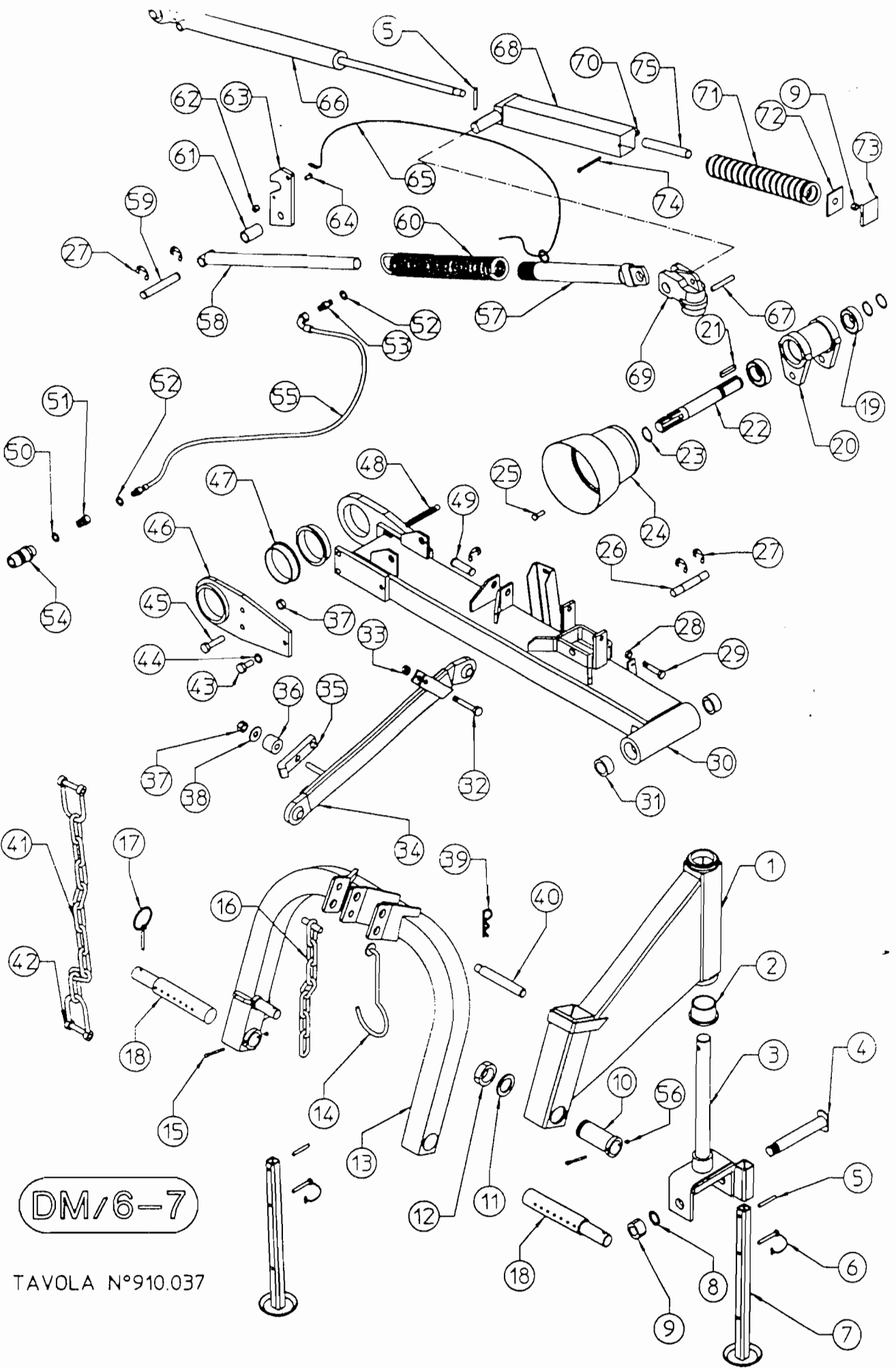
DM/4-5

TAVOLA N°910.038

TABLE NO 910 038

DM/4-5

ITEM	Q.ty	PART/NO	DESCRIPTION	NOTE
1	1	100.190/a	SUPPORT	
2	1	100.174/a	PIN	
3	8	600.018	WASHER	
4	4	600.441	SCREW	
5	1	600.080	NUT	
6	1	600.031	WASHER	
7	1	100.192	OUTER SUPPORT	
8	1	100.191/a	FRAME TUBE	DM/4
8	1	100.242/a	FRAME TUBE	DM/5
9	1	100.194	FRAME	
10	4	100.197/a	DISTANCE TUBE	DM/4
10	4	100.256/a	DISTANCE TUBE	DM/5
11	1	100.244	PROTECTION CANVAS	DM/4
11	1	100.245	PROTECTION CANVAS	DM/5
12	1	100.193	FRAME	
13	7	600.029	NUT	
14	7	600.322	WASHER	
15	1	100.195	FRAME	
16	1	100.196	FRAME	
17	1	100.199	DEFLECTOR	
18	1	600.528	SCREW	
19	1	100.200	SPRING	
20	1	600.845	WASHER	
21	1	600.024	NUT	
22	4	600.077	NUT	
23	1	100.328	ARM	
24	4	600.750	SCREW	
25	1	600.702	SCREW	
26	2	610.185	WASHER	
27	1	600.076	NUT	
28	1	100.188	PLATE DEFLECTOR	
29	1	600.226	SCREW	
30	1*	100.182	MAIN FRAME	
31	1	100.327	TIE ROD	DM/5
32	2	600.616	SCREW	DM/5
33	2	600.018	WASHER	DM/5
34	2	600.077	NUT	
66	1*	100.169	CYLINDER	

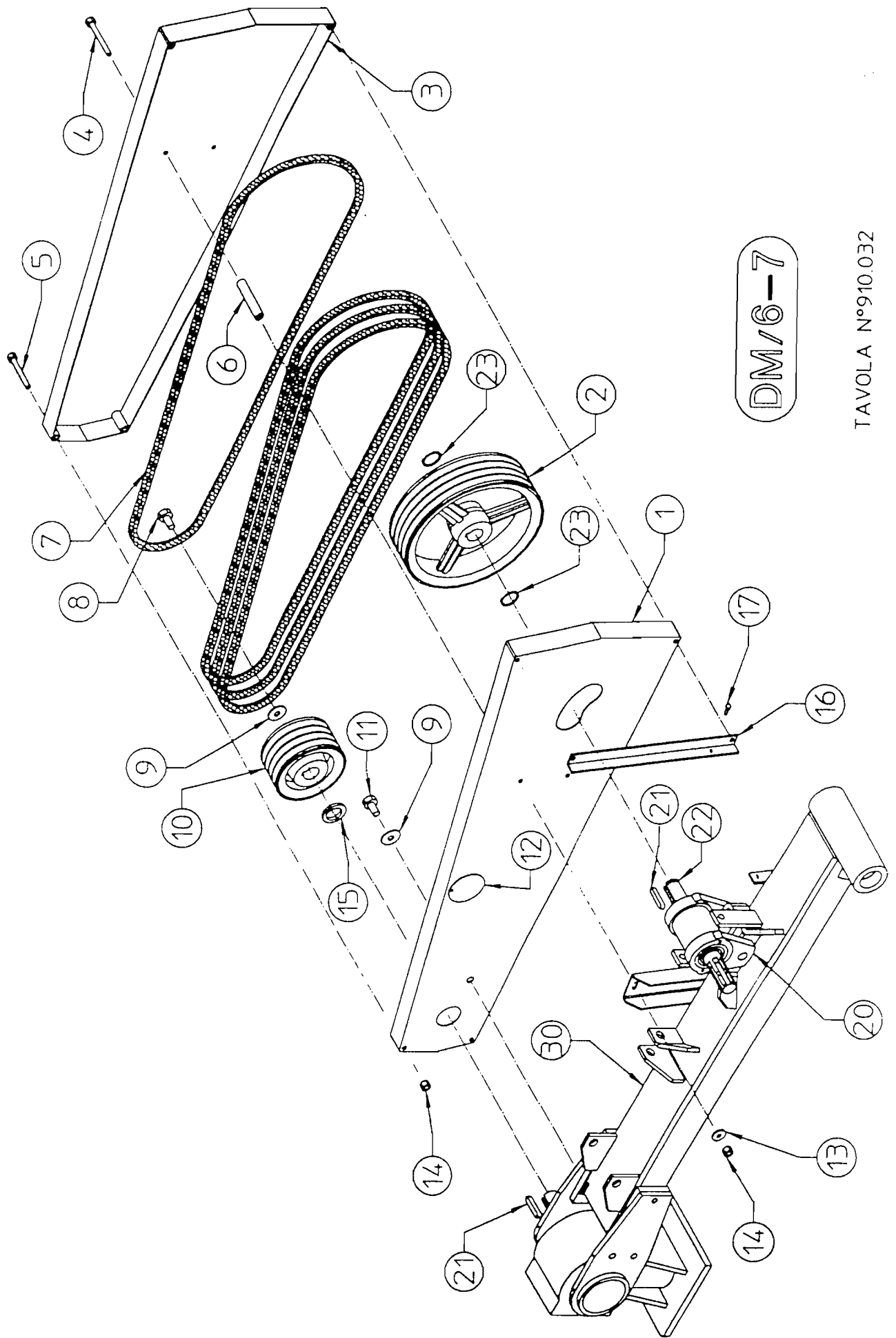


DM/6-7

TAVOLA N°910.037

TABLE NO. 910.037
DM/6-7

ITEM	Q.ty	PART/NO	DESCRIPTION	NOTE
1	1	100.319	SUPPORT	
2	1	100.236	BUSH	
3	1	100.221	PIN SUPPORT	
4	1	100.222	PIN	
5	3	600.027	SPRING PIN	
6	2	610.151	PIN	
7	2	100.166	PARKING STAND	
8	1	600.632	WASHER	
9	2	600.717	NUT	
10	1	100.322	BUSH	
11	1	100.324	WASHER	
12	2	610.316	NUT	
13	1	100.318	3 POINT HITCH	
14	1	100.253	SUPPORT	
15	1	600.400	SCREW	
16	1	100.250	CHAIN	
17	3	600.017	PIN	
18	2	100.320	PIN	
19	2	600.608	BEARING	
20	1	100.178	SUPPORT	
21	2	610.153	TAB	
22	1	100.237	P.T.O. SHAFT	
23	4	600.333	SNAP RING	
24	1	600.818	HOOD	
25	2	600.650	SCREW	
26	1	100.177	PIN	
27	5	610.152	SNAP RING	
28	2	600.009	NUT	
29	2	600.739	SCREW	
30	1	100.226	MAIN FRAME	
31	2	100.232	BUSH	
32	1	600.750	SCREW	
33	1	600.077	NUT	
34	1	100.167/a	SAFETY HOOK	
35	1	100.168	HOOK	
36	1	100.201	SPRING	
37	3	600.075	NUT	
38	1	610.231	WASHER	
39	1	600.308	SPLIT PIN	
40	1	100.321	PIN	
41	1	100.249	CHAIN	
42	2	610.118	SHACKLES	
43	1	610.155	SCREW	
44	1	600.086	WASHER	
45	2	600.752	SCREW	
46	1	100.183	BOX SUPPORT	
47	2	610.232	BUSH	
48	1	100.235	SPRING	
49	1	100.176	PIN	
50	1	100.203/a	KIT HYDRAULIC	
50	1	600.269	COPPER WASHER	
51	1	600.428	NIPPLE	
52	3	600.039	COPPER WASHER	
53	1	200.192	VALVE	
54	1	600.273	QUICK RELEASE COUPLING	
55	1	610.143	HOSE	
56	1	600.076	NUT	
57	1	100.223	OUTER TUBE	
58	1	100.171	INNER TUBE	
59	1	100.202	PIN	
60	1	100.172	SPRING	
61	1	100.204	BUSH	
62	1	600.076	NUT	
63	1	100.189	HOOK	
64	1	610.156	SCREW	
65	1	610.160	ROPE	
66	1	100.214	CYLINDER	
67	1	610.168	SPRING PIN	
68	1	100.216	SUPPORT	
69	1	100.165	UPPER SUPPORT	
70	1	600.472	NUT	
71	1	100.215	SPRING	
72	1	100.218	PLATE	
73	1	100.254	COVER	
74	1	610.159	SCREW	
75	1	100.217	BUSH	



DM16-7

TAVOLA N°910.032

TABLE NO 910 032

DM6-7

ITEM	Qty	PART/NO	DESCRIPTION	NOTE
1	1	100.227	INTERNAL COVER	
2	1	100.224	PULLEY	
3	1	100.228	OUTER COVER	
4	2	610.158	SCREW	
5	4	610.157	SCREW	
6	2	100.229	BUSH	
7	3	610.032	BELT	
8	1	600.440	SCREW	
9	2	500.160	WASHER	
10	1	100.225	PULLEY	
11	1	600.770	SCREW	
12	1	100.313	PLUG	
13	2	610.185	WASHER	
14	6	600.076	NUT	
15	1	100.205	BUSH	
16	1	100.255	BRACKET	
20	1*	100.178	SUPPORT	
21	2*	610.153	TAB	
22	1*	100.237	P.T.O. SHAFT	
23	2*	600.333	SNAP RING	
30	1*	100.226	MAIN FRAME	

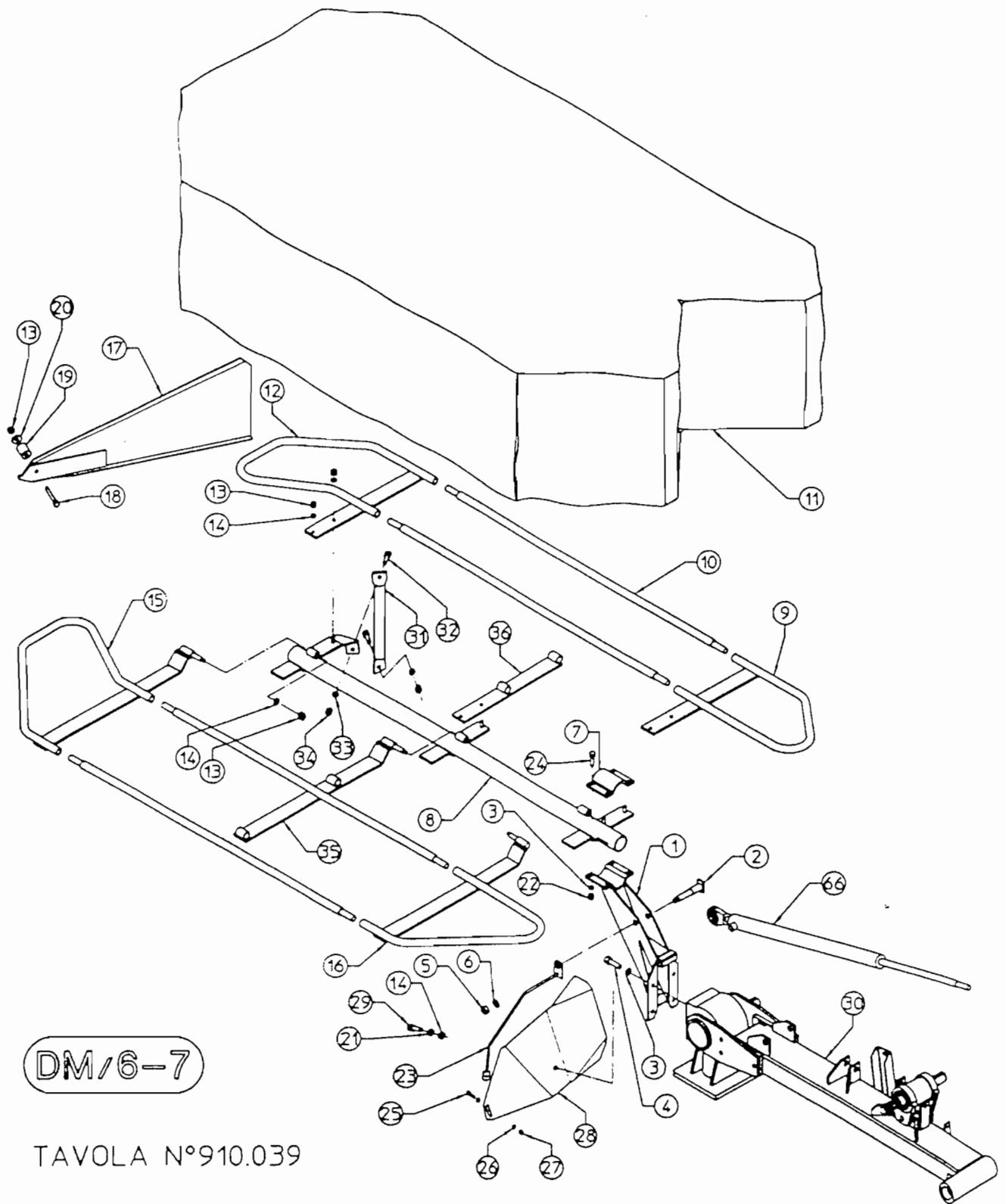


TABLE NO. 910.039				
DM/6-7				
ITEM	Q.ty	PART/NO	DESCRIPTION	NOTE
1	1	100.190/a	SUPPORT	
2	1	100.174/a	PIN	
3	8	600,018	WASHER	
4	4	600,441	SCREW	
5	1	600,080	NUT	
6	1	600,031	WASHER	
7	1	100,192	OUTER SUPPORT	
8	1	100.230/a	FRAME TUBE	DM6
8	1	100,243	FRAME TUBE	DM7
9	1	100,194	FRAME	
10	4	100.231/a	DISTANCE TUBE	DM6
10	4	100,257	DISTANCE TUBE	DM7
11	1	100.246/a	PROTECTION CANVAS	DM6
11	1	100,247	PROTECTION CANVAS	DM7
12	1	100,193	FRAME	
13	7	600,029	NUT	
14	7	600,322	WASHER	
15	1	100,195	FRAME	
16	1	100,196	FRAME	
17	1	100,199	DEFLECTOR	
18	1	600,528	SCREW	
19	1	100,200	SPRING	
20	1	600,845	WASHER	
21	1	600,024	NUT	
22	4	600,077	NUT	
23	1	100,328	ARM	
24	4	600,750	SCREW	
25	1	600,702	SCREW	
26	2	610,185	WASHER	
27	1	600,076	NUT	
28	1	100,188	PLATE DEFLECTOR	
28	1	100,329	PLATE DEFLECTOR	DM7
29	1	600,226	SCREW	
30	1 *	100,226	MAIN FRAME	
31	1	100,327	TIE ROD	DM5-6-7
32	2	600,616	SCREW	DM5-6-7
33	2	600,018	WASHER	DM5-6-7
34	2	600,077	NUT	
35	1	100,325	FRAME	DM7
36	1	100,326	FRAME	DM7
66	1 *	100,214	CYLINDER	

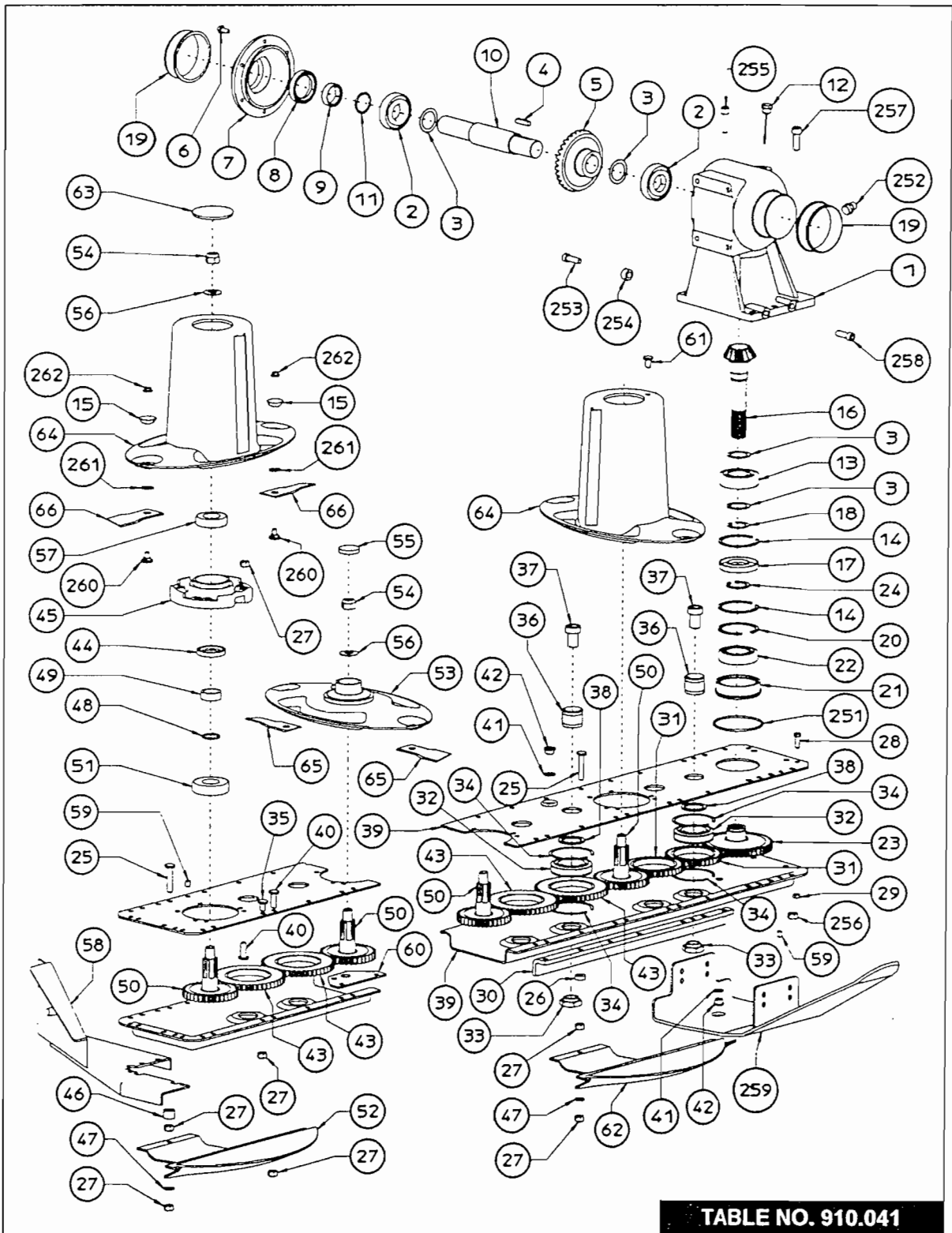


TABLE NO. 910.041				
DM-4				
ITEM	Q.TY	PART/NO	DESCRIPTION	NOTE
1	1	0.142.0301.00	GEAR BOX CASING	
2	2	8.0.9.00026	BEARING	
3	4	0.259.7500.00	WASHER	
4	1	8.4.1.01125	TAB	
5	1	0.142.5001.00	BEVEL GEAR	
6	8	8.1.1.01540	SCREW	
7	1	0.142.1301.00	COVER	
8	1	8.7.1.00769	OIL SEAL	
9	1	0.142.7100.00	BUSH	
10	1	0.142.2001.00	DRIVING SHAFT	
11	1	8.7.6.00954	RING OR	
12	1	0.142.7101.00	PLUG	
13	1	8.0.1.00644	BEARING	
14	2	8.5.2.00030	SNAP RING	
15	8	100.348	PROTECTION	
16	1	0.142.6000.00	SPROCKET	
17	1	8.7.3.00081	SEAL	
18	1	8.5.1.00005	RING	
19	2	0.142.7103.00	BUSH	
20	1	8.5.2.00030	SNAP RING	
21	1	0.404.7108.00	BEARING BUSH	
22	1	8.0.1.01184	BEARING	
23	1	0.404.6000.00	GEAR	
24	1	8.5.1.00680	SNAP RING	
25	4	0.404.7102.00	SCREW	
26	1	0.404.7136.00	DISTANCE	
27	70	8.2.1.01528	NUT	
28	4	8.1.2.01527	SCREW	
29	4	8.2.1.00985	NUT	
30	1	0.404.7117.00	REAR REINFORCEMET	
31	2	0.404.6001.00	GEAR	
32	8	0.404.7110.00	BEARING	
33	8	0.404.7048.00	NUT	
34	16	0.404.7111.00	SNAP RING	
35	21	0.404.7112.00	SCREW	
36	8	0.404.7047.00	DISTANCE PIN	
37	8	0.404.7107.00	SCREW	
38	8	0.404.7105.00	DISTANCE	
39	1	2.404.0306.00	SUPPORT (UPPER+LOWER)	
40	40	0.404.7101.00	SCREW	
41	3	8.3.0.01353	WASHER	
42	3	0.404.7131.00	PLUG	
43	6	0.404.6002.00	GEAR	
44	4	8.7.3.00044	SEAL	
45	4	0.404.1309.00	DISC SUPPORT	
46	3	0.404.7137.00	DISTANCE	

TABLE NO. 910.041				
DM-4				
ITEM	Q.TY	PART/NO	DESCRIPTION	NOTE
47	4	0.404.7140.00	WASHER	
48	4	8.7.6.01244	RING OR	
49	4	0.404.7122.00	BUSH	
50	4	0.404.5000.00	GEAR	
51	4	8.0.1.01192	BEARING	
52	3	2.404.1326.00	SUPPORT	
53	2	2.404.7035.00	DISC	
54	4	8.2.6.00542	NUT	
55	2	8.7.0.01148	PLUG	
56	4	8.5.5.01242	WASHER	
57	4	8.0.1.01191	BEARING	
58	1	2.404.1320.00	SUPPORT DEFLEKTOR	
59	2	8.4.5.01205	SPRING PIN	
60	1	0.404.7118.00	HOOK	
61	1	0.404.7132.00	SCREW	
62	1	2.404.1328.00	SUPPORT	
63	2	0.404.7135.00	PLUG	
64	2	2.404.7036.00	DISC CONVEY	
65	4	100,234	LEFT KNIFE	
66	4	100,233	RIGHT KNIFE	
251	1	8.7.6.01188	RING OR	
252	1	8.6.7.00161	PLUG	
253	2	8.1.2.01532	SCREW	
254	2	0.404.7113.00	SPACER	
255	3	8.1.2.01529	SCREW	
256	8	8.2.1.01533	NUT	
257	5	8.1.2.01530	SCREW	
258	2	8.1.2.01531	SCREW	
259	1	2.404.1319.00	SUPPORT	
260	8	0.404.7103.00	SCREW	
261	8	1.404.7109.00	WASHER	
262	8	0.404.7139.00	NUT	

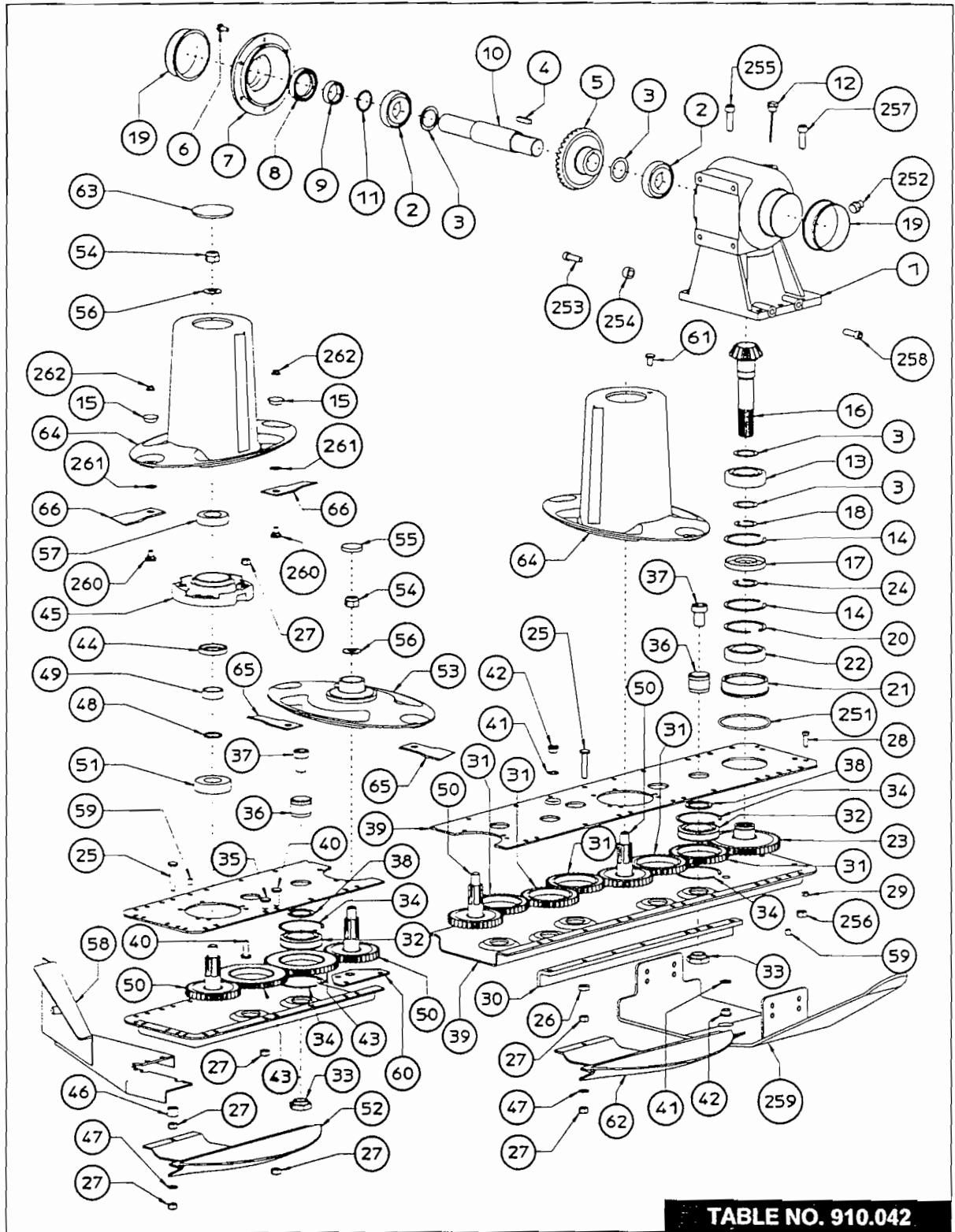


TABLE NO. 910.042				
DM-5				
ITEM	Q.TY	PART/NO	DESCRIPTION	NOTE
1	1	0.142.0301.00	GEAR BOX CASING	
2	2	8.0.9.00026	BEARING	
3	4	0.259.7500.00	WASHER	
4	1	8.4.1.01125	TAB	
5	1	0.142.5001.00	BEVEL GEAR	
6	8	8.1.1.01540	SCREW	
7	1	0.142.1301.00	COVER	
8	1	8.7.1.00769	OIL SEAL	
9	1	0.142.7100.00	BUSH	
10	1	0.142.2001.00	DRIVING SHAFT	
11	1	8.7.6.00954	RING OR	
12	1	0.142.7101.00	PLUG	
13	1	8.0.1.00644	BEARING	
14	2	8.5.2.00030	SNAP RING	
15	10	100.348	PROTECTION	
16	1	0.142.6000.00	SPROCKET	
17	1	8.7.3.00081	SEAL	
18	1	8.5.1.00005	RING	
19	2	0.142.7103.00	BUSH	
20	1	8.5.2.00030	SNAP RING	
21	1	0.404.7108.00	BEARING BUSH	
22	1	8.0.1.01184	BEARING	
23	1	0.404.6000.00	GEAR	
24	1	8.5.1.00680	SNAP RING	
25	5	0.404.7102.00	SCREW	
26	2	0.404.7136.00	DISTANCE	
27	86	8.2.1.01528	NUT	
28	4	8.1.2.01527	SCREW	
29	4	8.2.1.00985	NUT	
30	1	0.405.7103.00	REAR REINFORCEMET	
31	5	0.404.6001.00	GEAR	
32	11	0.404.7110.00	BEARING	
33	11	0.404.7048.00	NUT	
34	22	0.404.7111.00	SNAP RING	
35	24	0.404.7112.00	SCREW	
36	11	0.404.7047.00	DISTANCE PIN	
37	11	0.404.7107.00	SCREW	
38	11	0.404.7105.00	DISTANCE	
39	1	2.405.0308.00	SUPPORT (UPPER+LOWER)	
40	49	0.404.7101.00	SCREW	
41	3	8.3.0.01353	WASHER	
42	3	0.404.7131.00	PLUG	
43	6	0.404.6002.00	GEAR	
44	5	8.7.3.00044	SEAL	
45	5	0.404.1309.00	DISC SUPPORT	
46	3	0.404.7137.00	DISTANCE	

TABLE NO. 910.042				
DM-5				
ITEM	Q.TY	PART/NO	DESCRIPTION	NOTE
47	5	0.404.7140.00	WASHER	
48	5	8.7.6.01244	RING OR	
49	5	0.404.7122.00	BUSH	
50	5	0.404.5000.00	GEAR	
51	5	8.0.1.01192	BEARING	
52	3	2.404.1326.00	SUPPORT	
53	3	2.404.7035.00	DISC	
54	5	8.2.6.00542	NUT	
55	3	8.7.0.01148	PLUG	
56	5	8.5.5.01242	WASHER	
57	5	8.0.1.01191	BEARING	
58	1	2.404.1320.00	SUPPORT DEFLEKTOR	
59	2	8.4.5.01205	SPRING PIN	
60	1	0.404.7118.00	HOOK	
61	3	0.404.7132.00	SCREW	
62	2	2.404.1328.00	SUPPORT	
63	2	0.404.7135.00	PLUG	
64	2	2.404.7036.00	DISC CONVEY	
65	4	100,234	LEFT KNIFE	
66	6	100,233	RIGHT KNIFE	
251	1	8.7.6.01188	RING OR	
252	1	8.6.7.00161	PLUG	
253	2	8.1.2.01532	SCREW	
254	2	0.404.7113.00	REINFORCEMENT	
255	3	8.1.2.01529	SCREW	
256	8	8.2.1.01533	NUT	
257	5	8.1.2.01530	SCREW	
258	2	8.1.2.01531	SCREW	
259	1	2.404.1319.00	SUPPORT	
260	14	0.404.7103.00	SCREW	
261	14	1.404.7109.00	WASHER	
262	14	0.404.7139.00	NUT	

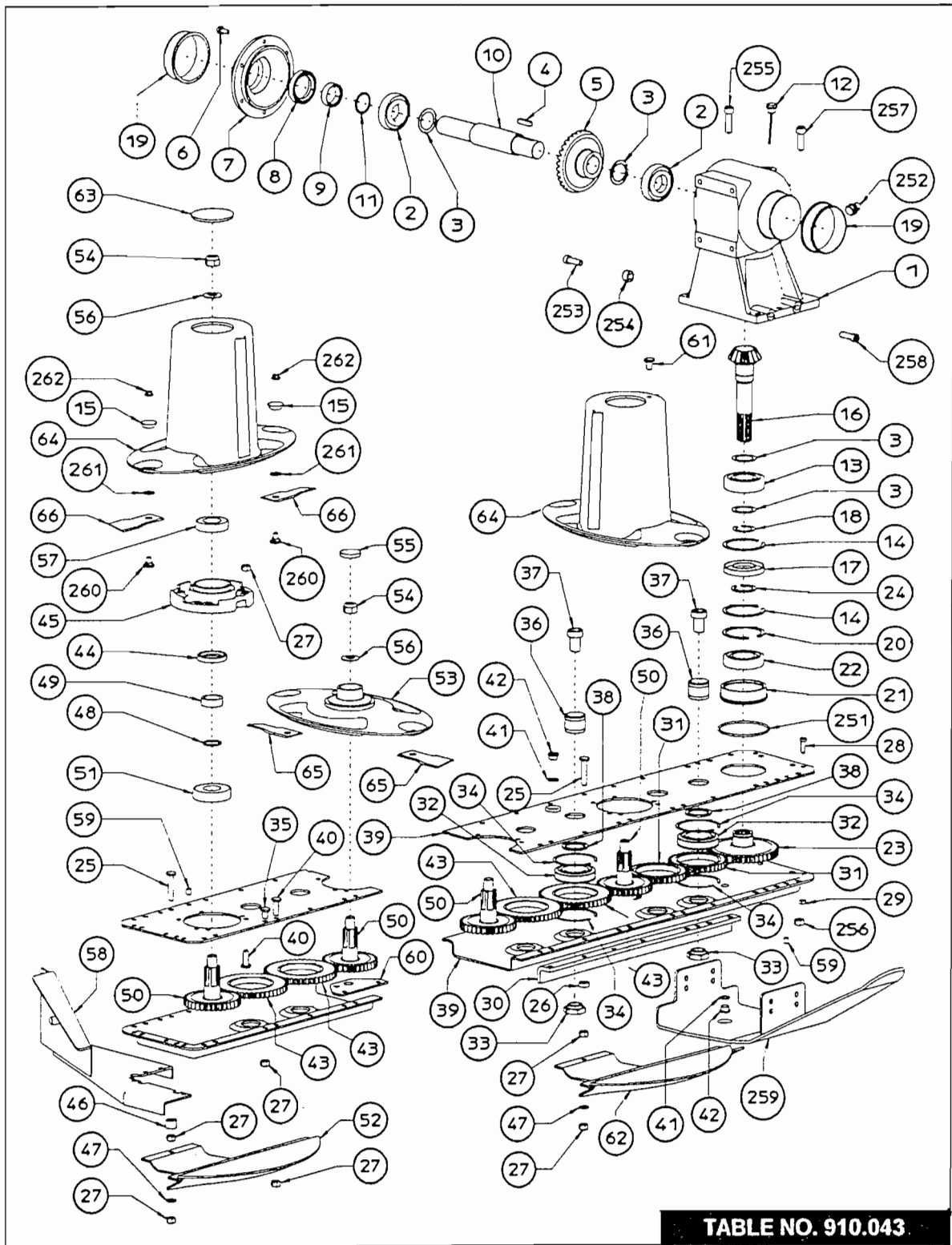


TABLE NO. 910.043				
DM-6				
ITEM	Q.TY	PART/NO	DESCRIPTION	NOTE
1	1	0.142.0301.00	GEAR BOX CASING	
2	2	8.0.9.00026	BEARING	
3	4	0.259.7500.00	WASHER	
4	1	8.4.1.01125	TAB	
5	1	0.142.5001.00	BEVEL GEAR	
6	8	8.1.1.01540	SCREW	
7	1	0.142.1301.00	COVER	
8	1	8.7.1.00769	OIL SEAL	
9	1	0.142.7100.00	BUSH	
10	1	0.142.2001.00	DRIVING SHAFT	
11	1	8.7.6.00954	RING OR	
12	1	0.142.7101.00	PLUG	
13	1	8.0.1.00644	BEARING	
14	2	8.5.2.00030	SNAP RING	
15	12	100.348	PROTECTION	
16	1	0.142.6000.00	SPROCKET	
17	1	8.7.3.00081	SEAL	
18	1	8.5.1.00005	RING	
19	2	0.142.7103.00	BUSH	
20	1	8.5.2.00030	SNAP RING	
21	1	0.404.7108.00	BEARING BUSH	
22	1	8.0.1.01184	BEARING	
23	1	0.404.6000.00	GEAR	
24	1	8.5.1.00680	SNAP RING	
25	6	0.404.7102.00	SCREW	
26	3	0.404.7136.00	DISTANCE	
27	102	8.2.1.01528	NUT	
28	4	8.1.2.01527	SCREW	
29	4	8.2.1.00985	NUT	
30	1	0.406.7101.00	REAR REINFORCEMET	
31	2	0.404.6001.00	GEAR	
32	12	0.404.7110.00	BEARING	
33	12	0.404.7048.00	NUT	
34	24	0.404.7111.00	SNAP RING	
35	27	0.404.7112.00	SCREW	
36	12	0.404.7047.00	DISTANCE PIN	
37	12	0.404.7107.00	SCREW	
38	12	0.404.7105.00	DISTANCE	
39	1	2.406.0306.00	SUPPORT (UPPER+LOWER)	
40	62	0.404.7101.00	SCREW	
41	3	8.3.0.01353	WASHER	
42	3	0.404.7131.00	PLUG	
43	10	0.404.6002.00	GEAR	
44	6	8.7.3.00044	SEAL	
45	6	0.404.1309.00	DISC SUPPORT	
46	3	0.404.7137.00	DISTANCE	

TABLE NO. 910.043				
DM-6				
ITEM	Q.TY	PART/NO	DESCRIPTION	NOTE
47	6	0.404.7140.00	WASHER	
48	6	8.7.6.01244	RING OR	
49	6	0.404.7122.00	BUSH	
50	6	0.404.5000.00	GEAR	
51	6	8.0.1.01192	BEARING	
52	5	2.404.1326.00	SUPPORT	
53	4	2.404.7035.00	DISC	
54	6	8.2.6.00542	NUT	
55	4	8.7.0.01148	PLUG	
56	6	8.5.5.01242	WASHER	
57	6	8.0.1.01191	BEARING	
58	1	2.404.1320.00	SUPPORT DEFLEKTOR	
59	2	8.4.5.01205	SPRING PIN	
60	1	0.404.7118.00	HOOK	
61	1	0.404.7132.00	SCREW	
62	1	2.404.1328.00	SUPPORT	
63	2	0.404.7135.00	PLUG	
64	2	2.404.7036.00	DISC CONVEY	
65	6	100.234	LEFT KNIFE	
66	6	100.233	RIGHT KNIFE	
251	1	8.7.6.01188	RING OR	
252	1	8.6.7.00161	PLUG	
253	2	8.1.2.01532	SCREW	
254	2	0.404.7113.00	SPACER	
255	3	8.1.2.01529	SCREW	
256	8	8.2.1.01533	NUT	
257	5	8.1.2.01530	SCREW	
258	2	8.1.2.01531	SCREW	
259	1	2.404.1319.00	SUPPORT	
260	12	0.404.7103.00	SCREW	
261	12	1.404.7109.00	WASHER	
262	12	0.404.7139.00	NUT	

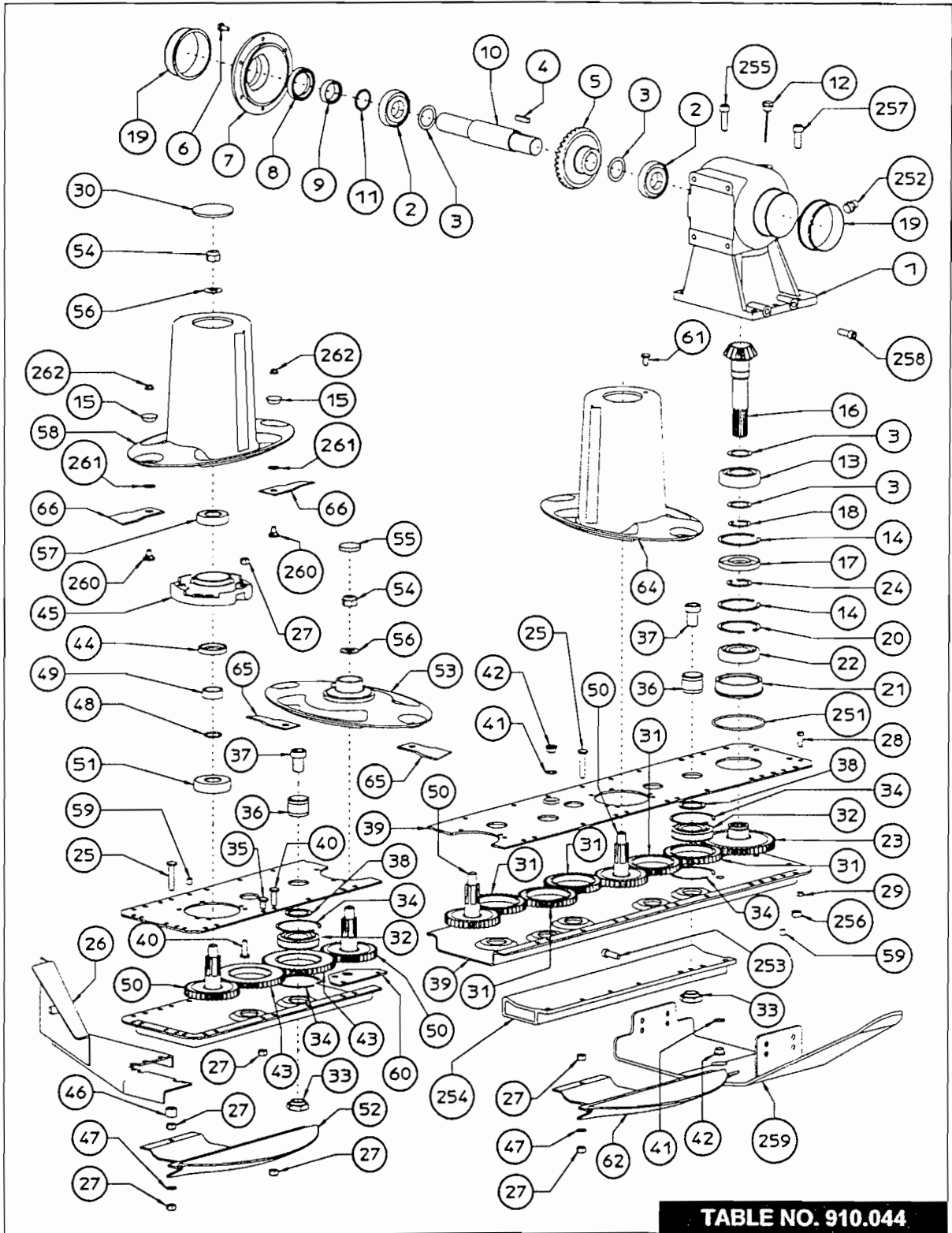


TABLE NO. 910.044

TABLE NO. 910.044				
DM-7				
ITEM	Q.TY	PART/NO	DESCRIPTION	NOTE
1	1	0.142.0301.00	GEAR BOX CASING	
2	2	8.0.9.00026	BEARING	
3	4	0.259.7500.00	WASHER	
4	1	8.4.1.01125	TAB	
5	1	0.142.5001.00	BEVEL GEAR	
6	8	8.1.1.01540	SCREW	
7	1	0.142.1301.00	COVER	
8	1	8.7.1.00769	OIL SEAL	
9	1	0.142.7100.00	BUSH	
10	1	0.142.2001.00	DRIVING SHAFT	
11	1	8.7.6.00954	RING OR	
12	1	0.142.7101.00	PLUG	
13	1	8.0.1.00644	BEARING	
14	2	8.5.2.00030	SNAP RING	
15	14	100.348	PROTECTION	
16	1	0.142.6000.00	SPROCKET	
17	1	8.7.3.00081	SEAL	
18	1	8.5.1.00005	RING	
19	2	0.142.7103.00	BUSH	
20	1	8.5.2.00030	SNAP RING	
21	1	0.404.7108.00	BEARING BUSH	
22	1	8.0.1.01184	BEARING	
23	1	0.404.6000.00	GEAR	
24	1	8.5.1.00680	SNAP RING	
25	7	0.404.7102.00	SCREW	
26	1	2.404.1320.00	SUPPORT DEFLEKTOR	
27	118	8.2.1.01528	NUT	
28	4	8.1.2.01527	SCREW	
29	4	8.2.1.00985	NUT	
30	2	0.404.7135.00	PLUG	
31	5	0.404.6001.00	GEAR	
32	15	0.404.7110.00	BEARING*	
33	15	0.404.7048.00	NUT	
34	30	0.404.7111.00	SNAP RING	
35	31	0.404.7112.00	SCREW	
36	15	0.404.7047.00	DISTANCE PIN	
37	15	0.404.7107.00	SCREW	
38	15	0.404.7105.00	DISTANCE	
39	1	2.407.0305.00	SUPPORT (UPPER+LOWER)	
40	71	0.404.7101.00	SCREW	
41	3	8.3.0.01353	WASHER	
42	3	0.404.7131.00	PLUG	
43	10	0.404.6002.00	GEAR	
44	7	8.7.3.00044	SEAL	
45	7	0.404.1309.00	DISC SUPPORT	
46	7	0.404.7137.00	DISTANCE	

TABLE NO. 910.044				
DM-7				
ITEM	Q.TY	PART/NO	DESCRIPTION	NOTE
42	3	0.404.7131.00	PLUG	
43	10	0.404.6002.00	GEAR	
44	7	8.7.3.00044	SEAL	
45	7	0.404.1309.00	DISC SUPPORT	
46	7	0.404.7137.00	DISTANCE	
47	7	0.404.7140.00	WASHER	
48	7	8.7.6.01244	RING OR	
49	7	0.404.7122.00	BUSH	
50	7	0.404.5000.00	GEAR	
51	7	8.0.1.01192	BEARING	
52	5	2.404.1326.00	SUPPORT	
53	5	2.404.7035.00	DISC	
54	7	8.2.6.00542	NUT	
55	5	8.7.0.01148	PLUG	
56	7	8.5.5.01242	WASHER	
57	7	8.0.1.01191	BEARING	
58	2	2.404.7036.00	DISC CONVEY	
59	2	8.4.5.01205	SPRING PIN	
60	1	0.404.7118.00	HOOK	
61	3	0.404.7132.00	SCREW	
62	2	2.404.1328.00	SUPPORT	
65	6	100.234	LEFT KNIFE	
66	8	100.233	RIGHT KNIFE	
251	1	8.7.6.01188	RING OR	
252	1	8.6.7.00161	PLUG	
253	2	8.1.2.01532	SCREW	
254	2	100.315	REAR REINFORCEMENT	
255	3	8.1.2.01529	SCREW	
256	8	8.2.1.01533	NUT	
257	5	8.1.2.01530	SCREW	
258	2	8.1.2.01531	SCREW	
259	4	100.316	SUPPORT	
260	14	0.404.7103.00	SCREW	
261	14	1.404.7109.00	WASHER	
262	14	0.404.7139.00	NUT	