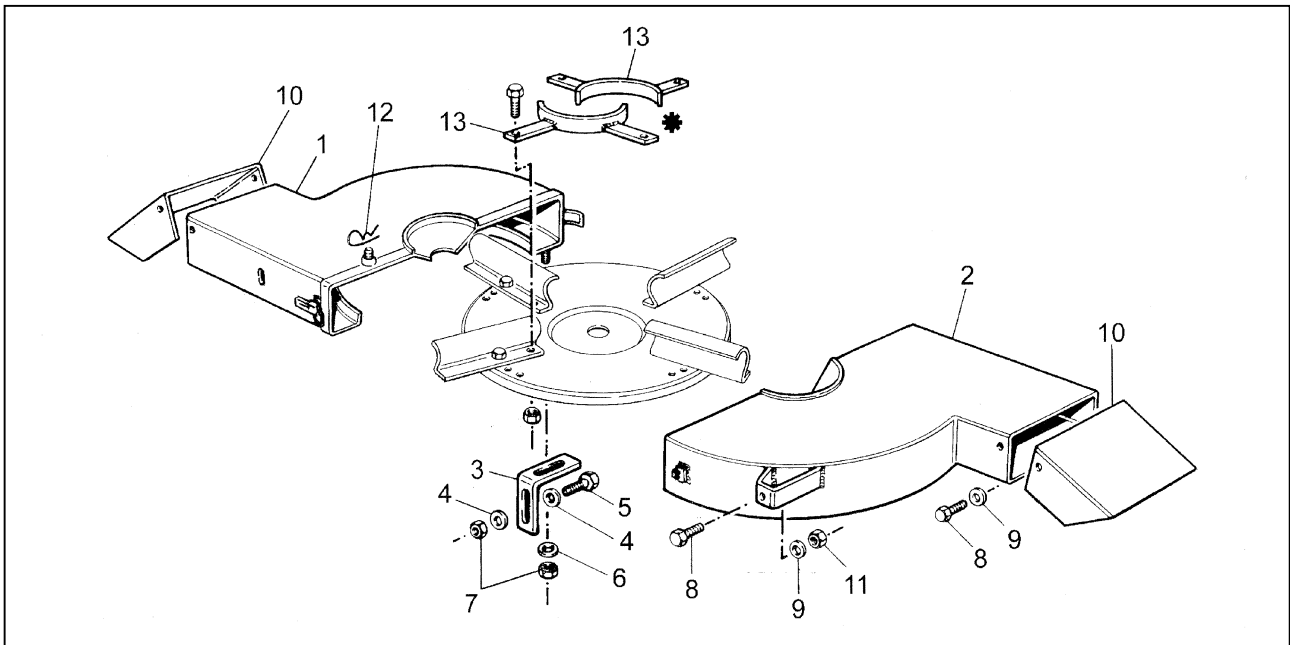


AGRICULTURAL MACHINERY
sitrex®
 s.r.l.

FS SPREADER



DUAL CONVEYOR KIT PART NO. 400.215

ITEM	Q.ty	PART NO.	DESCRIPTION	Note
*	1	400.215	DUAL-CONVEYOR KIT, COMPLETE	
1	1	400.217	CONVEYOR LH	*
2	1	400.218	CONVEYOR RH	*
3	1	400.171	BRACKET	*
4	5	600.089	WASHER	*
5	1	600.616	SCREW	*
6	1	610.300	WASHER	*
7	2	600.008	NUT	*
8	6	600.060	SCREW	*
9	4	600.992	WASHER	*
10	2	400.172	DEFLECTOR	*
11	1	600.993	NUT	*
12	1	610.279	SPLIT PIN	*
13	2	400.219	TWO-SIDE SPREADING ADJUSTER	*

DUAL CONVEYOR KIT
PART NO. 400.215

