

The Greenline HM7000
**POST HOLE
 DIGGER**

**Our New
 Heavy Duty Digger**

- Heavy Duty 3 1/2" diameter boom for the toughest jobs.
- U-Frame 2 7/8" diameter heavy wall pipe.
- Augers constructed of heavy duty 1/4" thick sectional flighting. Replaceable serrated cutting edges and spiral drill tip.
- Fits 3-point Category I linkage, Category II requires bushing.
- Over sized heavy duty commercial gear box with tapered roller bearings and precision gears.
- Limited warranty: 1 year on digger, 2 years on gear box.
- Actual digger color is safety yellow.
- Options: 12" and 18" Auger Extensions

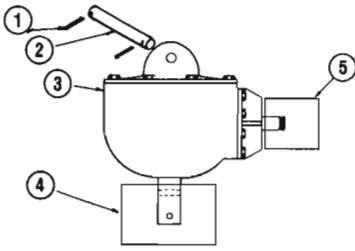
Available Augers:
 6", 9", 12", 14", 18"
 and 24".
 Digging Depth 40"
 Also 18" and 24"
 Duplex Nursery Augers.



Green Manufacturing, Inc.
 P.O. Box 408, Bowling Green, Ohio 43402-0408
 PH: 419-352-9484
 FAX: 419-354-2087

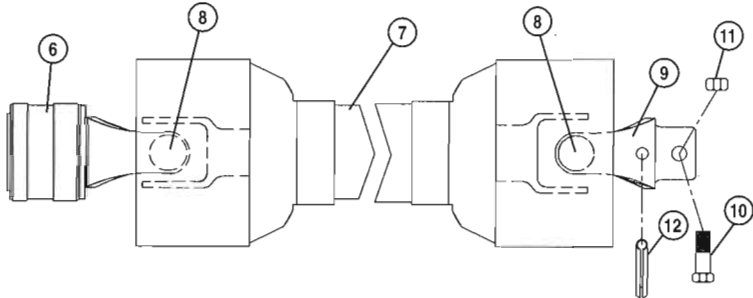


GEAR BOX and MOUNTING PIN



ITEM	PART NO.	NAME	SIZE	REQUIRED
1	37-4089	COTTER PIN	3/16 X 2	2
2	40-5818	MOUNTING PIN	3/4 X 6	1
3	34-5803	GEAR BOX		1
4	40-5942	OUTPUT SAFETY SHIELD		1
5	40-5936	INPUT SAFETY SHIELD		1

POWER-TAKE-OFF



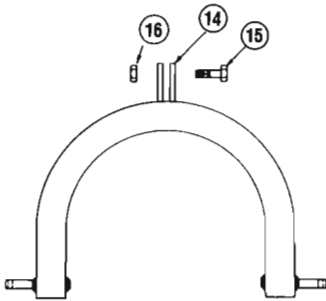
ITEM	PART NO.	NAME	SIZE	REQUIRED
6	34-6016	YOKE (tractor end)		1
7	34-5794	PTO SHAFT ASSEMBLY		1
8	34-6018	CROSS JOURNAL ASSEMBLY		2
9	34-6017	YOKE (gear box end)		1
*10	25-10135	SHEAR BOLT (Grade 2)	3/8 X 2 1/2	1
*11	36-3620	LOCKNUT	3/8 - 16	1
*12	37-1732	ROLL PIN	3/16 X 1 1/2	1

BOOM ASSEMBLY



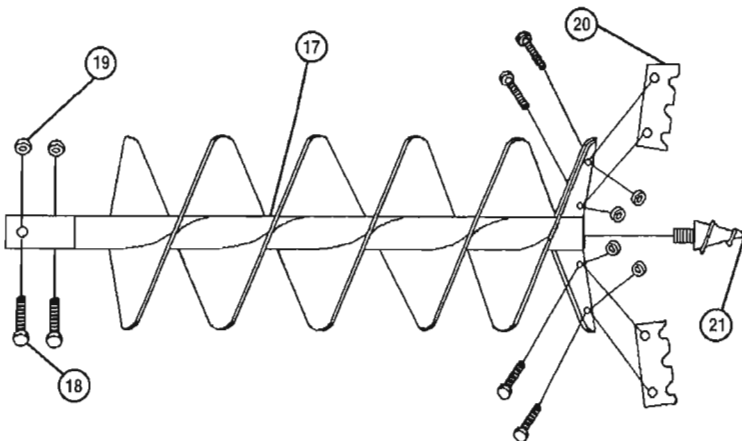
ITEM	PART NO.	NAME	SIZE	REQUIRED
13	40-5800	BOOM ASSEMBLY	3 1/2 PIPE	1

U-FRAME ASSEMBLY



ITEM	PART NO.	NAME	SIZE	REQUIRED
14	40-5872	U-FRAME ASSEMBLY	2 7/8 PIPE	1
*15	25-5791	BOLT	3/4 X 2 3/4	1
*16	36-5792	LOCK NUT	3/4 - 10	1

AUGER ASSEMBLY



ITEM	PART NO.	NAME	SIZE	REQUIRED
17	A10049	AUGER ASSEMBLY	6"	1
	A10052	AUGER ASSEMBLY	9"	1
	A10053	AUGER ASSEMBLY	12"	1
	A10054	AUGER ASSEMBLY	14"	1
	A10055	AUGER ASSEMBLY	18"	1
	A10056	AUGER ASSEMBLY	24"	1
	A5207-18	AUGER ASSEMBLY	18" DUPLEX	1
	A5207-24	AUGER ASSEMBLY	24" DUPLEX	1
*18	25-4132	MOUNTING BOLT (grade 5)	1/2-13 X 3 1/2	2
*19	36-8003	FULL HEX NUT	1/2 - 13	2
20	40-10059	CUTTING EDGE KIT	6"	1
	19-10091	CUTTING EDGE KIT	9"	1
	19-10092	CUTTING EDGE KIT	12"	1
	40-5276	CUTTING EDGE KIT	14"	1
	40-10069	CUTTING EDGE KIT	18"	1
	40-10070	CUTTING EDGE KIT	24"	1
21	19-10071	SPIRAL POINT TIP		1

NOTE: * indicates item in parts bag

Part #40-5833

HM 7000 DIGGER