

# Tilt Attach

For skid-steer loaders with universal hitches

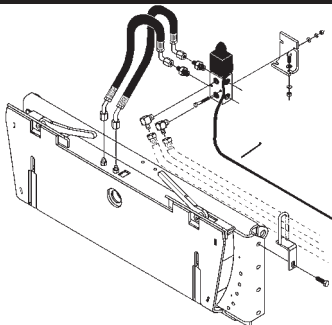
## FEATURES:

- Heavy Duty and Standard models provide better utilization of skid-steer on uneven terrain
- Attaches to a skid-steer universal hitch to allow 18 degrees left or right tilt off center line of quick attach
- Tilts buckets and landscaping implements for more precise grading and leveling
- Available for 1,700 lb machines and dedicated track units
- Optional valve package is mounted on Tilt Attach for use with hydraulic powered attachments
- Simple connection by electric wiring keeps valves and hoses out of operator's cabin
- Abrasion resistant plate steel allows longer life
- Large spherical ball bushing in center pivot allows extra strength and durability
- Heat treated pin in attachment quick attach
- 1 year limited warranty

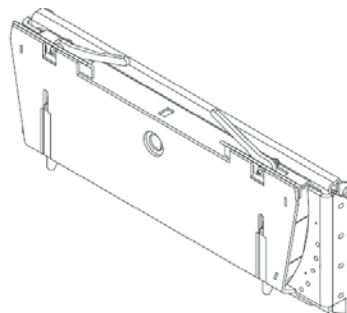


PALADIN LIGHT CONSTRUCTION

### PostMaster Valve Package



### Tilt Attach



### Specifications

Width	46.80"
Height	18.50"
Depth	4.20"
Cylinder Bore In	2.50"
Rod Diameter	1.25"
Tilt Degree	±18°
Lift Capacity	4,200 lbs
Weight	422 lbs